

**OPPLE**  
LIGHTING.

Innovation Brochure

**OCTOBER**  
**2023**















International

**OPPLE.COM**







	Free floor standing luminaire Falcon	4		Waterproof Classic G2	24
	Panel Suspended Riga	6		Waterproof EcoMax G3	28
	Spot Performer 3C Compact	8		Waterproof Classic Housing	30
	Surface Spot Selena	12		Roadlight Stratus	32
	Spot Chiara	14		Floodlight Olympus	36
	Desk lamp Sparrow	16		Floodlight Performer	40
	Wall-Mounted EcoMax G2	18		Glossary	42
	Highbay Performer G5	20			



Free floor standing luminaire Falcon

- Modern free-floor standing luminaire with direct/indirect light distribution
- Extremely comfortable light (UGR<16)
- Stylish touch button control on pole
- Integrated motion and daylight sensor
- High efficacy of 125 lm/W
- App control via Smart App, possible to connect to Smart Sensors



## Specifications

Item Code	Item Description	Equivalent to (W)	Power (W)	Lumen	Efficacy (lm/W)	CCT (K)	Weight (kg/pc)
<b>Smart</b>							
523003011100	LED Falcon-P 100W-BLE2-840	3x PL-L 55W	100	12500	125	4000	19.00

Technical Specifications	
Lifetime (L70)	100,000 h
Lifetime (L80)	70,000 h
On-/Off-cycles	100,000
Colour consistency (SDCM)	4
Dimmability	BLE2 / Touch Dim
Beam angle	110° up (70%) + 120° down (30%)
Finishing	White RAL9003
Colour rendering index (CRI)	> 80
UGR	≤ 16
Degree of protection (IP)	IP20
Impact strength	IK02
Protection class	I
Risk group (EN 62471)	RG0
With control gear	Yes
Glow wire test	650°C
Power factor	≥ 0.9

Electrical Supply	
Frequency	50/60 Hz
Nominal voltage	220-240 V
DC input voltage	No
230V Cable length	3 m

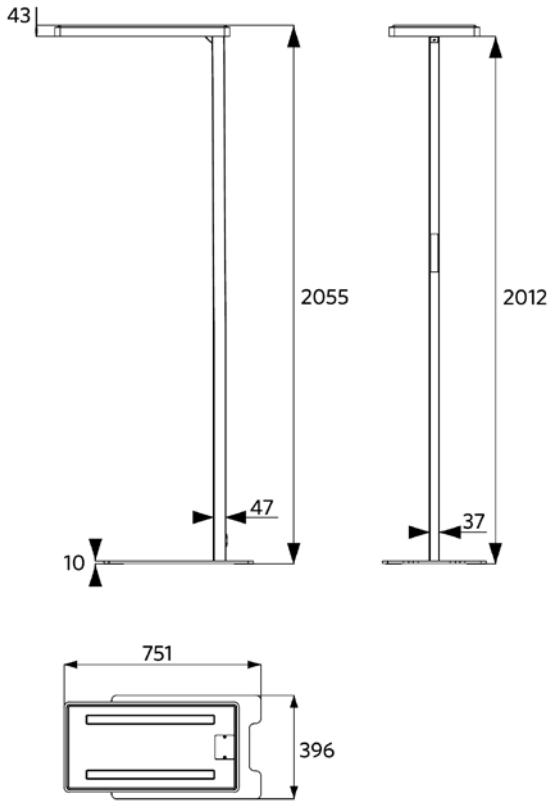
Mechanical Properties	
Housing material	Aluminum
Optical material	PMMA
Cover material	Polycarbonate

Ambient Conditions	
Operating temperature	-10-+45°C
Application temperature	+25°C
Storage environment	-25-+50°C



# Dimensional Drawing (mm)

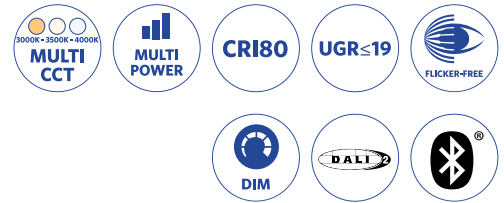
LEDFalcon-P





## Panel Suspended Riga

- Stylish direct/indirect suspended LED panel
- Clean minimalistic design
- Low Glare UGR19, suitable for office spaces
- Flexible due to 3000/3500/4000K CCT and Power Switch
- DALI2 and Smart Lighting (BLE2) versions available
- DALI2 driver compatible with 230V push dimming



## Specifications

Item Code	Item Description	Equivalent to (W)	Power (W)	Lumen	Efficacy (lm/W)	CCT (K)	Weight (kg/pc)
<b>DALI2</b>							
542004095200	LED Riga-P Re295-34/40W-DALI-830/840	TL 4x18W	34/40	4420/5200	130	3000/3500/4000	3.60
<b>Smart</b>							
542004095300	LED Riga-P Re295-34/40W-BLE2-830/840	TL 4x18W	34/40	4420/5200	130	3000/3500/4000	3.50

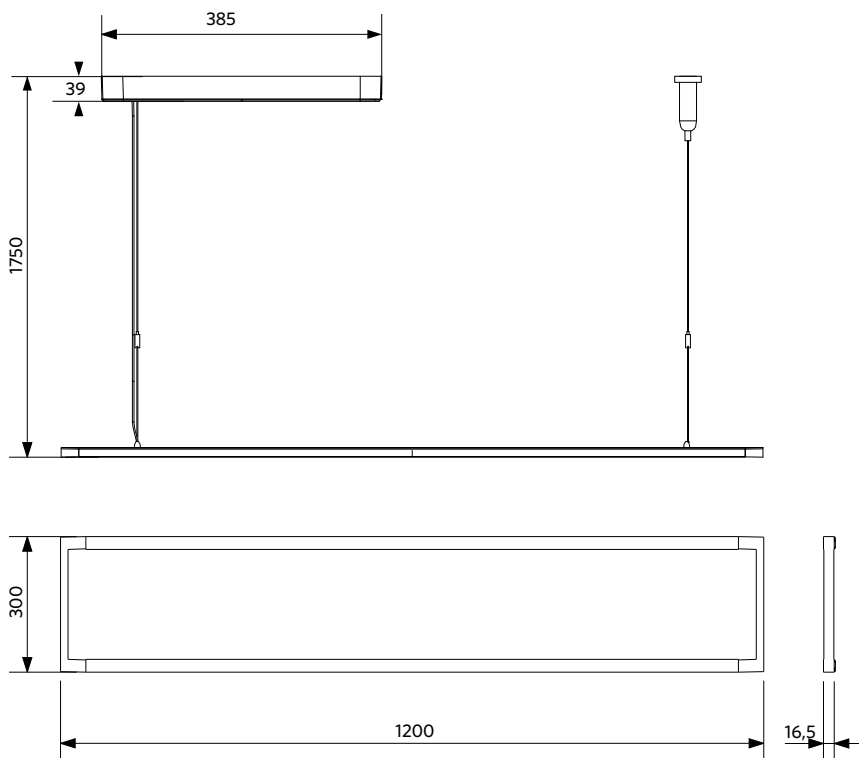
All codes include the required suspension kit. Suspension length 1.75m.  
Available on request with Wieland GST18 or WAGO WINSTA connector, or Euro/Schuko plug.

Technical Specifications		Electrical Supply	
Lifetime (L70)	70,000 h	Frequency	50/60 Hz
Lifetime (L80)	50,000 h	Nominal voltage	220-240 V
On-/Off-cycles	100,000	DC input voltage	See catalogue appendix
Colour consistency (SDCM)	4	Connection	Specifications
Dimmability	DALI2 / BLE2	<b>Mechanical Properties</b>	
Beam angle	115° up (30%) + 90° down (70%)	Housing material	Aluminum
Finishing	White RAL9003	Optical material	PMMA
Colour rendering index (CRI)	> 80	Cover material	PMMA
UGR	≤ 19	<b>Ambient Conditions</b>	
Degree of protection (IP)	IP20	Operating temperature	-10-+35°C
Impact strength	IK02	Application temperature	+25°C
Protection class	II	Storage environment	-25-+50°C
Risk group (EN 62471)	RG0		
With control gear	Yes		
Glow wire test	650°C		
Power factor	≥ 0.9		



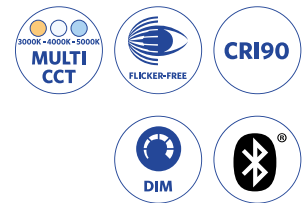
## Dimensional Drawing (mm)

LEDRiga-P





- NEW: 3-CCT Switch versions available
- High performance compact track spot with high luminous efficiency and homogeneous light distribution
- Wireless dimmable Smart Lighting solution (BLE2) available
- For BLE2 versions: improved wireless communication based on future-proof, standardized Bluetooth SIG Mesh protocol
- Various beam angles achievable with exchangeable reflectors
- Fitting common Global/Nordic Aluminum® 3C Tracks - and many other standard types
- Honeycomb filters available for further glare reduction (only for non-CS versions)
- Available in matte white (WH) and matte black (BL) versions



## Specifications

Item Code	Item Description	Equivalent to (W)	Power (W)	Lumen	Luminaire efficacy	CCT (K)	Weight (kg/pc)
<b>On-Off, CCT Switch (CS)</b>							
541001187400	LEDSpot3C-C-CS 10W-930/940/950-36D-WH	Halogen 100W	10	900/1000/900	90/100/90	3000/4000/5000	0.37
541001187500	LEDSpot3C-C-CS 10W-930/940/950-36D-BL	Halogen 100W	10	900/1000/900	90/100/90	3000/4000/5000	0.37
541001186600	LEDSpot3C-C-CS 20W-930/940/950-36D-WH	HID 35W	20	1800/2000/1800	90/100/90	3000/4000/5000	0.66
541001186700	LEDSpot3C-C-CS 20W-930/940/950-36D-BL	HID 35W	20	1800/2000/1800	90/100/90	3000/4000/5000	0.66
541001186800	LEDSpot3C-C-CS 30W-930/940/950-36D-WH	HID 50W	30	2550/2850/2550	85/95/85	3000/4000/5000	0.82
541001186900	LEDSpot3C-C-CS 30W-930/940/950-36D-BL	HID 50W	30	2550/2850/2550	85/95/85	3000/4000/5000	0.82
<b>On-Off</b>							
541001053900	LEDSpot3C-C-P 20W-930-36D-WH	HID 35W	20	2400	120	3000	0.74
541001053700	LEDSpot3C-C-P 20W-940-36D-WH	HID 35W	20	2400	120	4000	0.74
541001052700	LEDSpot3C-C-P 20W-930-36D-BL	HID 35W	20	2400	120	3000	0.94
541001053000	LEDSpot3C-C-P 20W-940-36D-BL	HID 35W	20	2400	120	4000	0.94
541001053500	LEDSpot3C-C-P 28W-930-36D-WH	HID 50W	28	3080	110	3000	0.94
541001053300	LEDSpot3C-C-P 28W-940-36D-WH	HID 50W	28	3360	120	4000	0.94
541001052800	LEDSpot3C-C-P 28W-930-36D-BL	HID 50W	28	3080	110	3000	0.94
541001052600	LEDSpot3C-C-P 28W-940-36D-BL	HID 50W	28	3360	120	4000	0.94
<b>Dimmable (Triac)</b>							
541001069000	LEDSpot3C-C-P 10W-Dim-930-36D-WH	Halogen 100W	10	1200	120	3000	0.44
541001069600	LEDSpot3C-C-P 10W-Dim-930-36D-BL	Halogen 100W	10	1200	120	3000	0.44
<b>Smart</b>							
541001167100	LEDSpot3C-C-P 28W-BLE2-930-36D-WH	HID 50W	28	3080	110	3000	0.95
541001167200	LEDSpot3C-C-P 28W-BLE2-940-36D-WH	HID 50W	28	3360	120	4000	0.95
541001167300	LEDSpot3C-C-P 28W-BLE2-930-36D-BL	HID 50W	28	3080	110	3000	0.95
541001167400	LEDSpot3C-C-P 28W-BLE2-940-36D-BL	HID 50W	28	3360	120	4000	0.95



## Accessories



541001187800  
LEDSpot3C-C-CS R47-  
Reflector-24D



541001187900  
LEDSpot3C-C-CS R68-  
Reflector-24D



541001188000  
LEDSpot3C-C-CS R75-  
Reflector-24D



599007083000  
LEDSpot3C-C-P R65-  
Honeycomb



599007082900  
LEDSpot3C-C-P R85-  
Honeycomb



599007082800  
LEDSpot3C-C-P R100-  
Honeycomb

550098001000  
LEDSpot3C-C-P R65-  
Reflector-24D

550098000300  
LEDSpot3C-C-P R85-  
Reflector-24D

550098000500  
LEDSpot3C-C-P R100-  
Reflector-24D

CS adapters fit in CCT-Switch versions, and P adapters fit for non-CS versions.

### Technical Specifications

Lifetime (L70)	70,000 h
Lifetime (L80)	50,000 h
On-/Off-cycles	100,000
Colour consistency (SDCM)	4
Dimmability	On-Off / Triac / BLE2
Beam angle	36°
Maximum tilt angle	85°
Finishing	Matte White / Matte Black
Colour rendering index (CRI)	> 90
Degree of protection (IP)	IP20
Impact strength	IK03
Protection class	I
Risk group (EN 62471)	RG1
With control gear	Yes
Glow wire test	650°C
Power factor	≥ 0.9

### Electrical Supply

Frequency	50/60 Hz
Nominal voltage	220-240 V
DC input voltage	See catalogue appendix Connection Specifications

### Mechanical Properties

Housing material	Aluminum
Optical material	Aluminum
Lens material	Polycarbonate

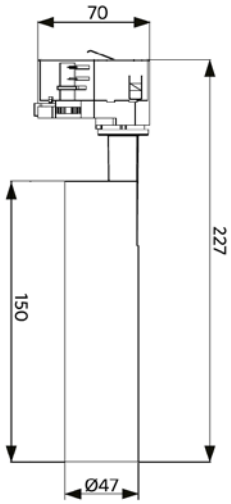
### Ambient Conditions

Operating temperature	-10-+40°C / -10-+45°C
Application temperature	+25°C
Storage environment	-25-+50°C

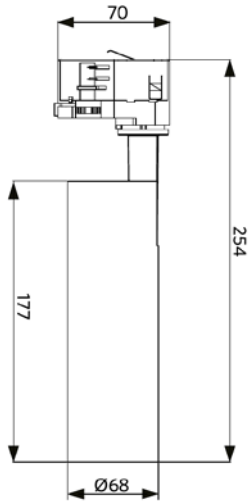


## Dimensional Drawing (mm)

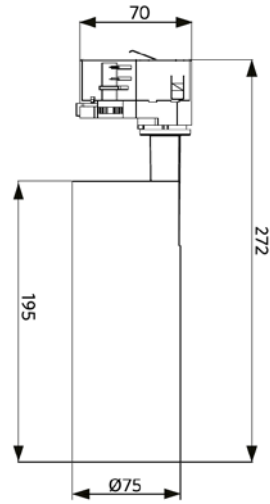
LEDspot3C-C-CS 10W



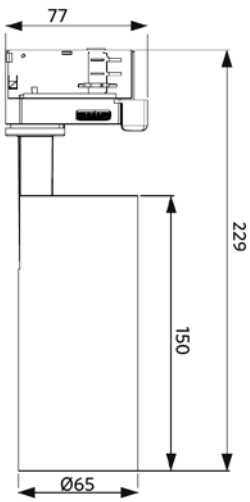
LEDspot3C-C-CS 20W



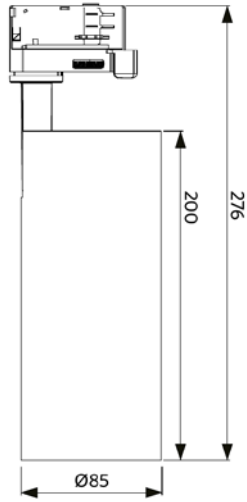
LEDspot3C-C-CS 30W



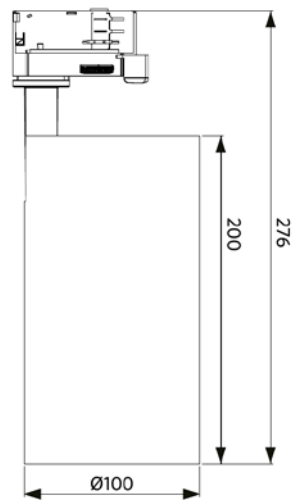
LEDspot3C-C-P 10W-Dim



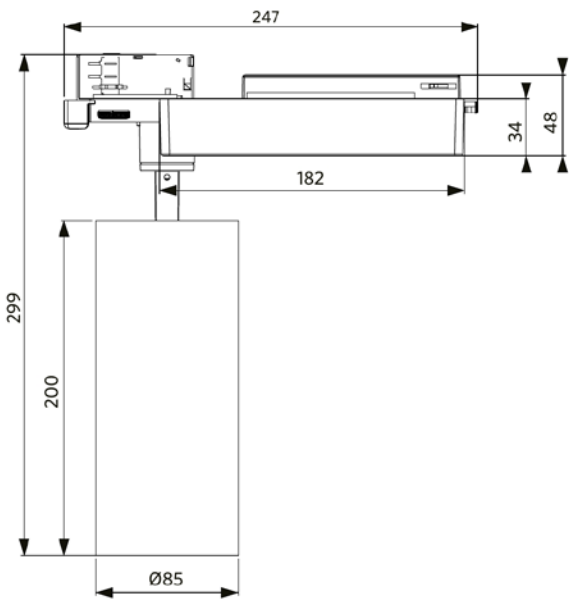
LEDspot3C-C-P 20W



LEDspot3C-C-P 28W



LEDspot3C-C-P 28W-BLE







## Surface Spot Selena

- Stylish and compact surface mounted spot
- Clean “twist-and-lock” mounting system
- High quality full metal body
- Available in matte white (WH) and matte black (BL) versions
- Triac dimming in higher power versions
- Small diameter of only 55 and 75mm
- Standard CRI 90



## Specifications

Item Code	Item Description	Equivalent to (W)	Power (W)	Lumen	Efficacy (lm/W)	CCT (K)	Weight (kg/pc)
<b>On-Off, Adjustable</b>							
541003589600	LEDSpotRA-Selena-E 5W-930-55D-WH	Halogen 35W	4.8	400	83	3000	0.22
541003589700	LEDSpotRA-Selena-E 5W-930-55D-BL	Halogen 35W	4.8	400	83	3000	0.22
<b>On-Off, Fixed</b>							
541003590000	LEDSpotRF-Selena-E 5W-930-55D-WH	Halogen 35W	4.8	400	83	3000	0.22
541003590100	LEDSpotRF-Selena-E 5W-930-55D-BL	Halogen 35W	4.8	400	83	3000	0.22
<b>Dimmable (Triac), Fixed</b>							
541003590400	LEDSpotRF-Selena-E 7W-DIM-930-55D-WH	Halogen 50W	7	560	80	3000	0.38
541003590500	LEDSpotRF-Selena-E 7W-DIM-930-55D-BL	Halogen 50W	7	560	80	3000	0.38

## Accessories



821017003600  
LEDSmart-BLE2-Relay-250W-DIM

**5 YEARS WARRANTY**



Technical Specifications	
Lifetime (L70)	50,000 h
Lifetime (L80)	30,000 h
On-/Off-cycles	100,000
Colour consistency (SDCM)	4
Dimmability	On-Off / Triac
Beam angle	55°
Maximum tilt angle	90°
Finishing	Matte White / Matte Black
Colour rendering index (CRI)	> 90
Degree of protection (IP)	IP20
Impact strength	IK02
Protection class	II
Risk group (EN 62471)	RG1
With control gear	Yes
Glow wire test	650°C

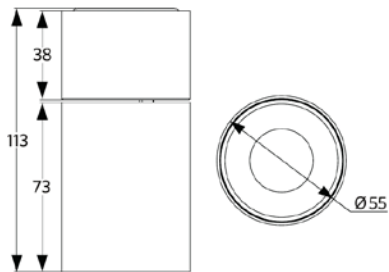
Electrical Supply	
Frequency	50/60 Hz
Nominal voltage	220-240 V
DC input voltage	See catalogue appendix Connection Specifications

Mechanical Properties	
Housing material	Aluminum
Optical material	Polycarbonate

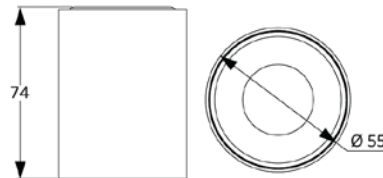
Ambient Conditions	
Operating temperature	-10-+40°C
Application temperature	+25°C
Storage environment	-25-+50°C

## Dimensional Drawing (mm)

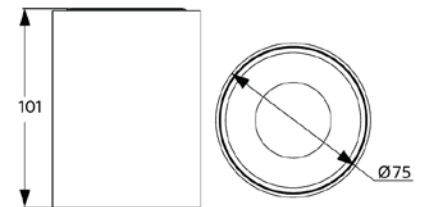
LEDspotRA-Selena-E 5W



LEDspotRF-Selena-E 5W



LEDspotRF-Selena-E 7W-DIM





## Spot Chiara

- NEW: Upgraded 9W version with Triac dimming and high CRI
- Recessed LED spot with 25° tilting angle
- Clean beam thanks to newly designed micro faceted reflector
- Light free of multiple shadows for professional accent lighting
- Available in 2700K, 3000K and 4000K
- Universal cut-out of 68mm
- IP44 on the light emitting side
- Available in matte white (WH) and brushed aluminium (AL) finishes



## Specifications

Item Code	Item Description	Equivalent to (W)	Power (W)	Lumen	Efficacy (lm/W)	CCT (K)	Colour rendering index (CRI)	Weight (kg/pc)
<b>On-Off</b>								
541003410800	LEDSpotRA-Chiara-E 6W-827-36D-AL	Halogen 35W	6	450	75	2700	> 80	0.09
541003414200	LEDSpotRA-Chiara-E 6W-830-36D-AL	Halogen 35W	6	450	75	3000	> 80	0.09
541003411000	LEDSpotRA-Chiara-E 6W-840-36D-AL	Halogen 35W	6	480	80	4000	> 80	0.09
541003410900	LEDSpotRA-Chiara-E 6W-827-36D-WH	Halogen 35W	6	450	75	2700	> 80	0.09
541003414300	LEDSpotRA-Chiara-E 6W-830-36D-WH	Halogen 35W	6	450	75	3000	> 80	0.09
541003411100	LEDSpotRA-Chiara-E 6W-840-36D-WH	Halogen 35W	6	480	80	4000	> 80	0.09
<b>Dimmable (Triac)</b>								
541003589000	LEDSpotRA-Chiara-E 9W-DIM-927-36D-AL	Halogen 50W	9	675	75	2700	> 90	0.12
541003589200	LEDSpotRA-Chiara-E 9W-DIM-930-36D-AL	Halogen 50W	9	675	75	3000	> 90	0.12
541003589400	LEDSpotRA-Chiara-E 9W-DIM-940-36D-AL	Halogen 50W	9	720	80	4000	> 90	0.12
541003589100	LEDSpotRA-Chiara-E 9W-DIM-927-36D-WH	Halogen 50W	9	675	75	2700	> 90	0.12
541003589300	LEDSpotRA-Chiara-E 9W-DIM-930-36D-WH	Halogen 50W	9	675	75	3000	> 90	0.12
541003589500	LEDSpotRA-Chiara-E 9W-DIM-940-36D-WH	Halogen 50W	9	720	80	4000	> 90	0.12

## Accessories



542098030700  
Junction-Box-WH



821017003600  
LEDSmart-BLE2-Relay-250W-DIM

**5 YEARS WARRANTY**



Technical Specifications	
Lifetime (L70)	50,000 h
Lifetime (L80)	30,000 h
On-/Off-cycles	100,000
Colour consistency (SDCM)	4
Dimmability	On-Off / Triac
Beam angle	36°
Maximum tilt angle	25°
Finishing	Brushed Aluminum / Matte White
IP front side	IP44
IP recessed part	IP20
Impact strength	IK02
Protection class	II
Risk group (EN 62471)	RG1
With control gear	Yes
Glow wire test	650°C
Displacement factor (DF)	≥ 0.9

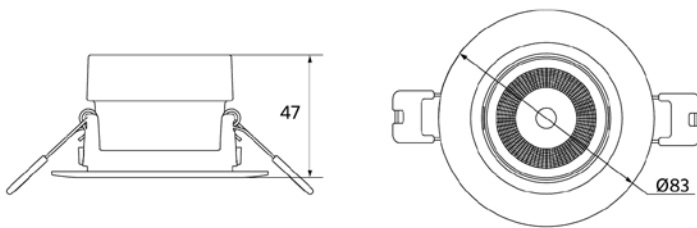
Electrical Supply	
Frequency	50/60 Hz
Nominal voltage	220-240 V
DC input voltage	See catalogue appendix Connection Specifications
230V Cable length	0.3 m

Mechanical Properties	
Housing material	Polycarbonate
Optical material	Polycarbonate

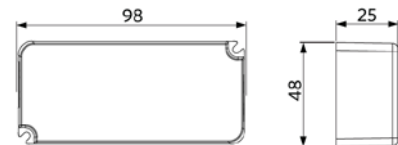
Ambient Conditions	
Operating temperature	-10-+40°C
Application temperature	+25°C
Storage environment	-25-+50°C

## Dimensional Drawing (mm)

LEDSpotRA-Chiara-E

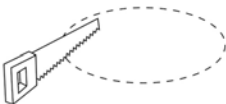


LEDSpotRA-Chiara-E  
Driver Dim



## Installation Opening Drawing (mm)

LEDSpotRA-Chiara-E  
Ø68-74





- Modern design desk lamp with comfortable light
- Touch-button control for dimming and CCT-change
- Professional anti-glare, honeycomb lens
- Indirect background lighting for increased comfort
- Various scenes/features to enhance ease of use



## Specifications

Item Code	Item Description	Equivalent to (W)	Power (W)	Lumen	Efficacy (lm/W)	CCT (K)	Weight (kg/pc)
<b>Dimmable</b>							
523003011600	LEDSparrow-E 15W-DIM-830/840/850	Halogen 125W	15	1000	66	3000/4000/5000	0.70

Technical Specifications	
Lifetime (L70)	50,000 h
Lifetime (L80)	30,000 h
On-/Off-cycles	100,000
Colour consistency (SDCM)	4
Dimmability	Touch Dim
Beam angle	140°
Finishing	White
Colour rendering index (CRI)	> 80
Degree of protection (IP)	IP20
Impact strength	IK03
Protection class	II
Risk group (EN 62471)	RG0
With control gear	Yes
Glow wire test	650°C
Power factor	≥ 0.9

Electrical Supply	
Frequency	50/60 Hz
Nominal voltage	220-240 V
DC input voltage	No
230V Cable length	1.8 m

Mechanical Properties	
Housing material	ABS
Optical material	Polycarbonate

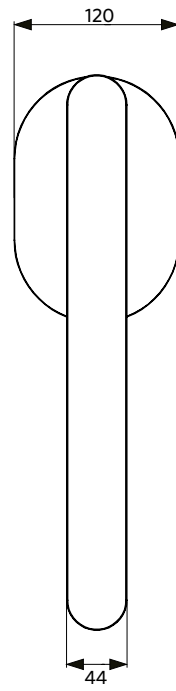
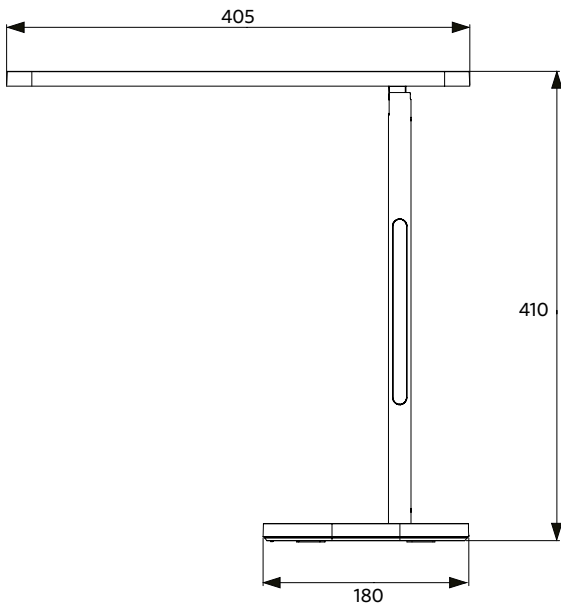
Ambient Conditions	
Operating temperature	-10-+45°C
Application temperature	+25°C
Storage environment	-18-+50°C





# Dimensional Drawing (mm)

LEDSparrow-E





**NEW  
VERSIONS**



- NEW: Smart (BLE2) versions available
- Stylish, compact and sturdy wall mounted fixture (IP54+IK08)
- Easy wiring with through-wiring possibility
- Integrated CCT switch for color selection (3000K-4000K)
- MD-versions with 2-step dimming (movement always necessary for switching on luminaire)
- 3hr emergency available with auto-test functionality (EM-version)

## Specifications

Item Code	Item Description	Equivalent to (W)	Power (W)	Lumen	Efficacy (lm/W)	CCT (K)	With sensor	Weight (kg/pc)
<b>On-Off</b>								
522020001800	LEDWall-Mounted-E2 Rd275-14W	CFL 2x18W	14	1700	120	3000/4000	No	0.70
522020001600	LEDWall-Mounted-E2 Rd275-22W	CFL 2x26W	22	2500	115	3000/4000	No	0.70
<b>Motion Detection, Daylight Detection</b>								
522020001700	LEDWall-Mounted-E2 Rd275-14W-MD	CFL 2x18W	14	1700	120	3000/4000	Yes	0.76
522020001500	LEDWall-Mounted-E2 Rd275-22W-MD	CFL 2x26W	22	2500	115	3000/4000	Yes	0.76
<b>Smart</b>								
715000008700	LEDWall-Mounted-E2 Rd275-22W-BLE2	CFL 2x26W	22	2500	115	3000/4000	No	0.70
<b>Emergency version 3 hours, On-Off</b>								
522020001400	LEDWall-Mounted-E2 Rd275-14W-EM3	CFL 2x18W	14	1700	120	3000/4000	No	0.80
522020001200	LEDWall-Mounted-E2 Rd275-22W-EM3	CFL 2x26W	22	2500	115	3000/4000	No	0.80
<b>Emergency version 3 hours, Motion Detection, Daylight Detection</b>								
522020001300	LEDWall-Mounted-E2 Rd275-14W-MD-EM3	CFL 2x18W	14	1700	120	3000/4000	No	0.86
522020001100	LEDWall-Mounted-E2 Rd275-22W-MD-EM3	CFL 2x26W	22	2500	115	3000/4000	Yes	0.86
<b>Emergency version 3 hours, Smart</b>								
715000008800	LEDWall-Mounted-E2 Rd275-22W-BLE2-EM3	CFL 2x26W	22	2500	115	3000/4000	No	0.80

**5 YEARS WARRANTY**



Technical Specifications	
Lifetime (L70)	50,000 h
Lifetime (L80)	30,000 h
On-/Off-cycles	100,000
Colour consistency (SDCM)	4
Dimmability	On-Off / Sensor controlled (MD) / BLE2
Sensor type	Motion + Daylight detection (MD) / No sensor
Sensor technology	Microwave (MW) / No sensor
Finishing	White RAL9016
Colour rendering index (CRI)	> 80
Degree of protection (IP)	IP54
Impact strength	IK08
Protection class	II
With control gear	Yes
Glow wire test	850°C
Power factor	≥ 0.9

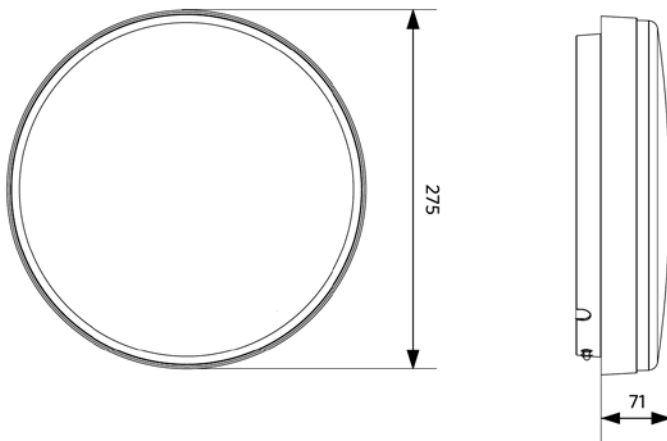
Electrical Supply	
Frequency	50/60 Hz
Nominal voltage	220-240 V
DC input voltage	No

Mechanical Properties	
Housing material	Polypropylene (PP)
Optical material	Polypropylene (PP)

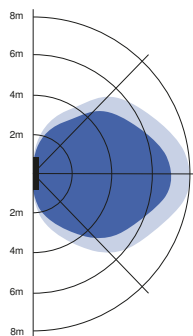
Ambient Conditions	
Operating temperature	-20-+45°C
Operating temperature EM	0-+45°C
Application temperature	+25°C
Storage environment	-30-+60°C
Storage environment EM	-20-+25°C

## Dimensional Drawing (mm)

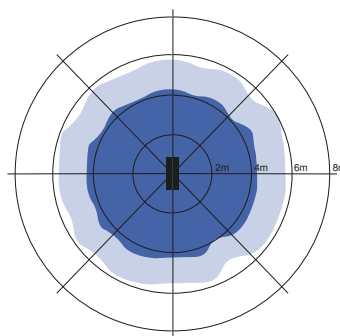
LEDWall-Mounted-E2 Rd275



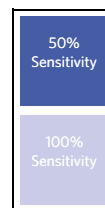
## Motion sensors - Detection range



Installation - Wall mounted  
Suggested installation height 1-3m



Installation - Ceiling mounted  
Suggested installation height 2.5-6m





**Highbay Performer G5**

- NEW: high temperature versions (HT) available
- High quality LED Highbay solution with improved ultra slim design
- Improved efficacy of 160 lm/W
- Available as Smart Lighting solution (BLE2) and DALI2 combined in one luminaire
- For BLE2 versions: improved wireless communication based on future-proof, standardized Bluetooth SIG Mesh protocol
- Three different beam angles: wide, medium and asymmetric
- Extra high power versions available, up to 38,400 lm
- Equipped with breather to prevent condensation
- Equipped with IP68 connector



**Specifications**

Item Code	Item Description	Equivalent to (W)	Power (W)	Lumen	Efficacy (lm/W)	CCT (K)	Beam angle	Weight (kg/pc)
<b>On-Off</b>								
545001068300	LEDHighbay-P5 80W-840-W	HID 250W	80	12800	160	4000	100°	2.68
545001068200	LEDHighbay-P5 80W-840-N	HID 250W	80	12800	160	4000	60°	2.68
545001068400	LEDHighbay-P5 80W-840-AS	HID 250W	80	12800	160	4000	60° x 100°	2.68
545001069500	LEDHighbay-P5 80W-857-W	HID 250W	80	12800	160	5700	100°	2.68
545001069400	LEDHighbay-P5 80W-857-N	HID 250W	80	12800	160	5700	60°	2.68
545001069600	LEDHighbay-P5 80W-857-AS	HID 250W	80	12800	160	5700	60° x 100°	2.68
545001068600	LEDHighbay-P5 110W-840-W	HID 400W	110	17600	160	4000	100°	2.68
545001068500	LEDHighbay-P5 110W-840-N	HID 400W	110	17600	160	4000	60°	2.68
545001068700	LEDHighbay-P5 110W-840-AS	HID 400W	110	17600	160	4000	60° x 100°	2.68
545001069800	LEDHighbay-P5 110W-857-W	HID 400W	110	17600	160	5700	100°	2.68
545001069700	LEDHighbay-P5 110W-857-N	HID 400W	110	17600	160	5700	60°	2.68
545001069900	LEDHighbay-P5 110W-857-AS	HID 400W	110	17600	160	5700	60° x 100°	2.68
545001068000	LEDHighbay-P5 150W-840-W	HID 400W	150	24000	160	4000	100°	3.70
545001067900	LEDHighbay-P5 150W-840-N	HID 400W	150	24000	160	4000	60°	3.70
545001068100	LEDHighbay-P5 150W-840-AS	HID 400W	150	24000	160	4000	60° x 100°	3.70
545001069200	LEDHighbay-P5 150W-857-W	HID 400W	150	24000	160	5700	100°	3.70
545001069100	LEDHighbay-P5 150W-857-N	HID 400W	150	24000	160	5700	60°	3.70
545001069300	LEDHighbay-P5 150W-857-AS	HID 400W	150	24000	160	5700	60° x 100°	3.70
545001067600	LEDHighbay-P5 200W-840-W	HID 600W	200	32000	160	4000	100°	3.70
545001067700	LEDHighbay-P5 200W-840-N	HID 600W	200	32000	160	4000	60°	3.70
545001067800	LEDHighbay-P5 200W-840-AS	HID 600W	200	32000	160	4000	60° x 100°	3.70
545001068800	LEDHighbay-P5 200W-857-W	HID 600W	200	32000	160	5700	100°	3.70
545001068900	LEDHighbay-P5 200W-857-N	HID 600W	200	32000	160	5700	60°	3.70
545001069000	LEDHighbay-P5 200W-857-AS	HID 600W	200	32000	160	5700	60° x 100°	3.70

Item Code	Item Description	Equivalent to (W)	Power (W)	Lumen	Efficacy (lm/W)	CCT (K)	Beam angle	Weight (kg/pc)
<b>On-Off</b>								
545001062100	LEDHighbay-P5 240W-840-W	HID 600W	240	38400	160	4000	100°	3.70
545001062000	LEDHighbay-P5 240W-840-N	HID 600W	240	38400	160	4000	60°	3.70
545001062200	LEDHighbay-P5 240W-840-AS	HID 600W	240	38400	160	4000	60° x 100°	3.70
545001062400	LEDHighbay-P5 240W-857-W	HID 600W	240	38400	160	5700	100°	3.70
545001062300	LEDHighbay-P5 240W-857-N	HID 600W	240	38400	160	5700	60°	3.70
545001062500	LEDHighbay-P5 240W-857-AS	HID 600W	240	38400	160	5700	60° x 100°	3.70
<b>On-Off, High Temperature</b>								
545001071000	LEDHighbay-P5 130W-840-W-HT	HID 400W	130	20800	160	4000	100°	3.70
545001070900	LEDHighbay-P5 130W-840-N-HT	HID 400W	130	20800	160	4000	60°	3.70
545001071100	LEDHighbay-P5 130W-840-AS-HT	HID 400W	130	20800	160	4000	60° x 100°	3.70
545001071300	LEDHighbay-P5 130W-857-W-HT	HID 400W	130	20800	160	4000	100°	3.70
545001071200	LEDHighbay-P5 130W-857-N-HT	HID 400W	130	20800	160	4000	60° x 100°	3.70
545001071400	LEDHighbay-P5 130W-857-AS-HT	HID 400W	130	20800	160	4000	60°	3.70
<b>DALI2, Smart</b>								
545001059700	LEDHighbay-P5 80W-DALI+BLE2-840-W	HID 250W	80	12800	160	4000	100°	2.68
545001059600	LEDHighbay-P5 80W-DALI+BLE2-840-N	HID 250W	80	12800	160	4000	60°	2.68
545001059800	LEDHighbay-P5 80W-DALI+BLE2-840-AS	HID 250W	80	12800	160	4000	60° x 100°	2.68
545001060300	LEDHighbay-P5 110W-DALI+BLE2-840-W	HID 400W	110	17600	160	4000	100°	2.68
545001060200	LEDHighbay-P5 110W-DALI+BLE2-840-N	HID 400W	110	17600	160	4000	60°	2.68
545001060400	LEDHighbay-P5 110W-DALI+BLE2-840-AS	HID 400W	110	17600	160	4000	60° x 100°	2.68
545001060900	LEDHighbay-P5 150W-DALI+BLE2-840-W	HID 400W	150	24000	160	4000	100°	3.70
545001060800	LEDHighbay-P5 150W-DALI+BLE2-840-N	HID 400W	150	24000	160	4000	60°	3.70
545001061000	LEDHighbay-P5 150W-DALI+BLE2-840-AS	HID 400W	150	24000	160	4000	60° x 100°	3.70
545001061200	LEDHighbay-P5 150W-DALI+BLE2-857-W	HID 400W	150	24000	160	5700	100°	3.70
545001061100	LEDHighbay-P5 150W-DALI+BLE2-857-N	HID 400W	150	24000	160	5700	60°	3.70
545001061300	LEDHighbay-P5 150W-DALI+BLE2-857-AS	HID 400W	150	24000	160	5700	60° x 100°	3.70
545001061500	LEDHighbay-P5 200W-DALI+BLE2-840-W	HID 600W	200	32000	160	4000	100°	3.70
545001061400	LEDHighbay-P5 200W-DALI+BLE2-840-N	HID 600W	200	32000	160	4000	60°	3.70
545001061600	LEDHighbay-P5 200W-DALI+BLE2-840-AS	HID 600W	200	32000	160	4000	60° x 100°	3.70
545001062700	LEDHighbay-P5 240W-DALI+BLE2-840-W	HID 600W	240	38400	160	4000	100°	3.70
545001062600	LEDHighbay-P5 240W-DALI+BLE2-840-N	HID 600W	240	38400	160	4000	60°	3.70
545001062800	LEDHighbay-P5 240W-DALI+BLE2-840-AS	HID 600W	240	38400	160	4000	60° x 100°	3.70

## Accessories



545098000500  
LEDHighbay-P4 Bracket-D330

545098000600  
LEDHighbay-P4 Bracket-D420



545098003500  
LEDHighbay-P4 Reflector-D330

545098003600  
LEDHighbay-P4 Reflector-D420



543098021900  
LEDFixture-IP68-Connector-Kit-3



543098022000  
LEDFixture-IP68-Connector-Kit-5



545098003200  
LEDHighbay-Pole and Adapter

545098003900  
LEDHighbay-Pole

Highbay Pole and Adapter (545098003200) is only compatible with 80W and 110W versions. Highbay Pole (545098003900) is only compatible with 150W, 200W and 240W versions.



### Technical Specifications

Lifetime (L70)	100,000 h
Lifetime (L80)	70,000 h
Lifetime (L80) HT	100,000 h
Lifetime (L90)	50,000 h
On-/Off-cycles	100,000
Colour consistency (SDCM)	4
Dimmability	On-Off / DALI2+BLE2
Finishing	Grey Pantone 417U
Colour rendering index (CRI)	> 80
Degree of protection (IP)	IP66
Impact strength	IK08
Protection class	I
Risk group (EN 62471)	RG1
With control gear	Yes
Glow wire test	850°C
Power factor	≥ 0.9
Surge protection	4 kV

### Electrical Supply

Frequency	50/60 Hz
Nominal voltage	220-240 V
DC input voltage	See catalogue appendix Connection Specifications
230V Cable length	1 m

### Mechanical Properties

Housing material	Aluminum
UV resistant	Yes
Optical material	Polycarbonate
Cover material	Polycarbonate

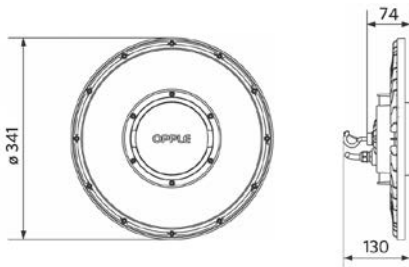
### Ambient Conditions

Operating temperature	-30-+50°C
Operating temperature HT	-30-+70°C
Application temperature	+25°C
Storage environment	-30-+60°C

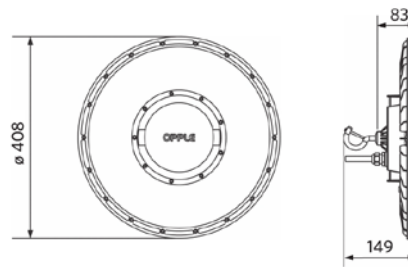


## Dimensional Drawing (mm)

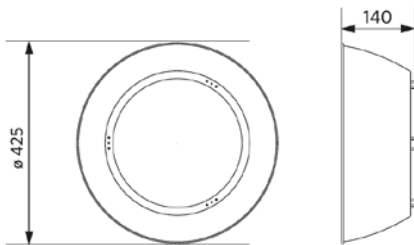
LEDHighbay-P5  
80W & 110W



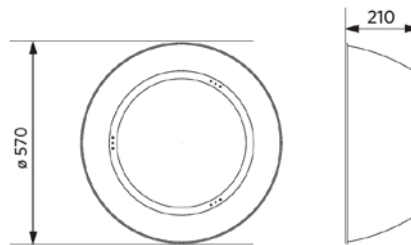
LEDHighbay-P5  
130W & 150W & 200 & 240W



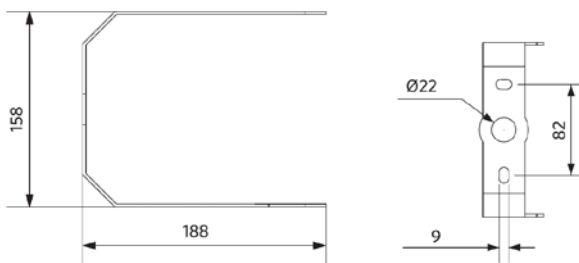
LEDHighbay-P5  
Reflector-D330



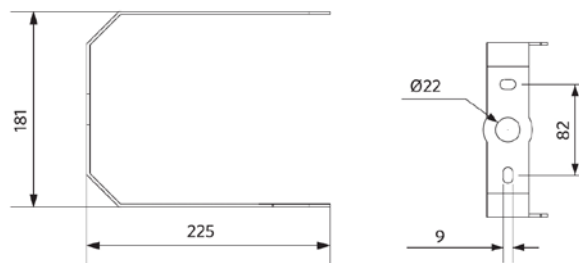
LEDHighbay-P5  
Reflector-D420



LEDHighbay-P5  
Bracket-D330



LEDHighbay-P5  
Bracket-D420







## Waterproof Classic G2

- New more sleek classic waterproof solution with clip design
- Improved efficacy of 150 lm/W
- Optimized diffuser design for more uniform illumination patterns
- Power switch versions available
- Wiring from the back or side possible
- Supplied with vandal-proof stainless steel ceiling and suspension clips
- 3x2.5mm<sup>2</sup> wire through kit available as accessory



## Specifications

Item Code	Item Description	Equivalent to (W)	Power (W)	Lumen	Efficacy (lm/W)	CCT (K)	Weight (kg/pc)
<b>On-Off</b>							
531000013000	LEDWP-CLA-P2 L600-10/18W-840	TL 1/2x18W	10/18	1500/2700	150	4000	0.81
531000013100	LEDWP-CLA-P2 L1200-18W-840	TL 1x36W	18	2700	150	4000	1.23
531000013200	LEDWP-CLA-P2 L1200-18/36W-840	TL 1/2x36W	18/36	2700/5400	150	4000	1.23
531000013300	LEDWP-CLA-P2 L1500-24W-840	TL 1x58W	24	3600	150	4000	1.55
531000013400	LEDWP-CLA-P2 L1500-24/44W-840	TL 1/2x58W	24/44	3600/6600	150	4000	1.55
531000013500	LEDWP-CLA-P2 L1500-44/56W-840	TL 2x58W	44/56	6600/8400	150	4000	1.55
<b>Motion Detection, Daylight Detection</b>							
531000014800	LEDWP-CLA-P2 L600-10/18W-840-MD	TL 1/2x18W	10/18	1500/2700	150	4000	0.76
531000015000	LEDWP-CLA-P2 L1200-18/36W-840-MD	TL 1/2x36W	18/36	2700/5400	150	4000	1.25
531000015200	LEDWP-CLA-P2 L1500-24/44W-840-MD	TL 1/2x58W	24/44	3600/6600	150	4000	1.57
531000015300	LEDWP-CLA-P2 L1500-44/56W-840-MD	TL 2x58W	44/56	6600/8400	150	4000	1.57
<b>Emergency version 1 hour, On-Off</b>							
531000015400	LEDWP-CLA-P2 L600-10/18W-840-EM1	TL 1/2x18W	10/18	1500/2700	150	4000	0.86
<b>Emergency version 3 hours, On-Off</b>							
531000015600	LEDWP-CLA-P2 L1200-18/36W-840-EM3	TL 1/2x36W	18/36	2700/5400	150	4000	1.54
531000015800	LEDWP-CLA-P2 L1500-24/44W-840-EM3	TL 1/2x58W	24/44	3600/6600	150	4000	1.86
531000015900	LEDWP-CLA-P2 L1500-44/56W-840-EM3	TL 2x58W	44/56	6600/8400	150	4000	1.86
<b>Emergency version 3 hours, Motion Detection, Daylight Detection</b>							
531000017400	LEDWP-CLA-P2 L1200-18/36W-840-MD-EM3	TL 1/2x36W	18/36	2700/5400	150	4000	1.56
531000017600	LEDWP-CLA-P2 L1500-24/44W-840-MD-EM3	TL 1/2x58W	24/44	3600/6600	150	4000	1.88
531000017700	LEDWP-CLA-P2 L1500-44/56W-840-MD-EM3	TL 2x58W	44/56	6600/8400	150	4000	1.88



# Accessories



531098002500  
LEDWP-CLA-P2 Wirethrough-Kit



531098002700  
LEDWP-CLA-P2 Sensor-Kit

### Technical Specifications

Lifetime (L70)	70,000 h
Lifetime (L80)	50,000 h
On-/Off-cycles	100,000
Colour consistency (SDCM)	4
Dimmability	On-Off / Sensor controlled (MD)
Sensor type	Motion + Daylight detection (MD) / No sensor
Sensor technology	Microwave (MW) / No sensor
Beam angle	120°
Finishing	Grey RAL 7035
Colour rendering index (CRI)	> 80
Degree of protection (IP)	IP65
Impact strength	IK08
Protection class	I
Risk group (EN 62471)	RG1
With control gear	Yes
Glow wire test	850°C
Power factor	≥ 0.9
Input wire diameter	1mm <sup>2</sup> - 2.5mm <sup>2</sup>
Internal wiring (mm <sup>2</sup> )	3x2.5
Max. input cable diameter (mm)	5-11 mm

### Electrical Supply

Frequency	50/60 Hz
Nominal voltage	220-240 V
DC input voltage	See catalogue appendix
Connection	Specifications

### Mechanical Properties

Material housing	Polycarbonate
UV resistant	Yes
Optical material	Polycarbonate
Mounting clips	Stainless steel

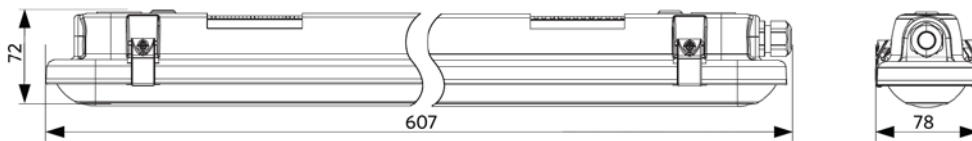
### Ambient Conditions

Operating temperature	-20-+45°C
Application temperature	+25°C
Storage environment	-30-+60°C

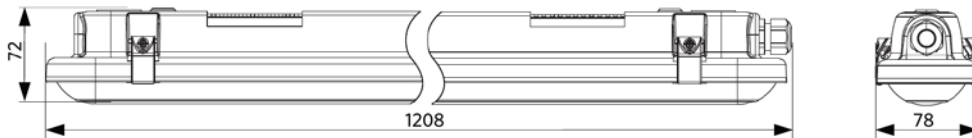


# Dimensional Drawing (mm)

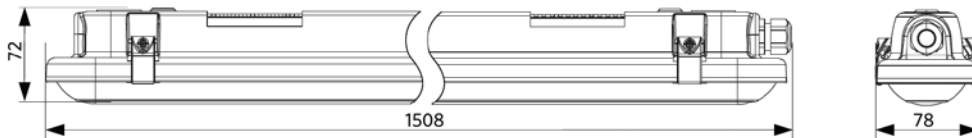
LEDWP-CLA-P2 L600



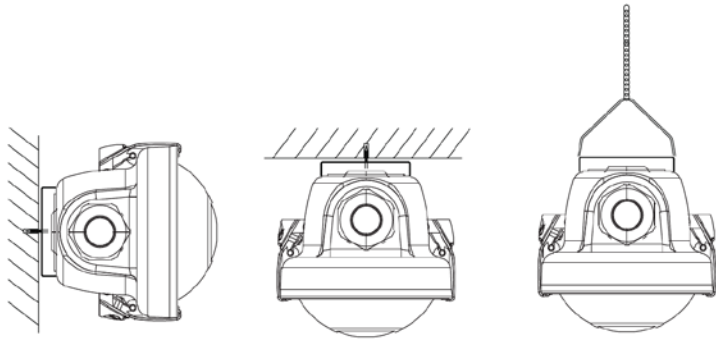
LEDWP-CLA-P2 L1200



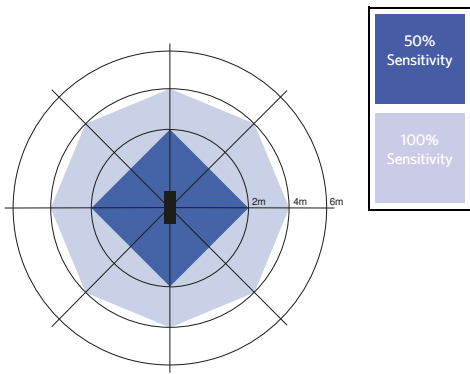
LEDWP-CLA-P2 L1500



## Installation Possibilities



## Motion sensors - Detection range



Installation - Ceiling mounted  
Suggested installation height 3-4m

**PRESCAU**  
MILANO - Via Trossello, 2 - Tel. 02 851 851 700





- Waterproof luminaire in "sealed-for-life" concept
- Improved efficacy up to 150 lm/W
- Improved installation due to new twist-and-lock endcap
- Power switch versions available
- New high output version with 8,250lm output
- Supplied with vandal-proof stainless steel ceiling and suspension clips
- Equipped with 3x2.5mm<sup>2</sup> throughwiring



## Specifications

Item Code	Item Description	Equivalent to (W)	Power (W)	Lumen	Efficacy (lm/W)	CCT (K)	Weight (kg/pc)
<b>On-Off</b>							
531000012100	LEDWaterproof-E3 L600-10/19W-840	TL 1/2x18W	10/19	1400/2660	140	4000	0.51
531000012500	LEDWaterproof-E3 L1200-17W-840	TL 1x36W	17	2380	140	4000	0.81
531000012600	LEDWaterproof-E3 L1200-19/35W-840	TL 1/2x36W	19/35	2660/4900	140	4000	0.83
531000012700	LEDWaterproof-E3 L1200-19/35W-865	TL 1/2x36W	19/35	2660/4900	140	6500	0.83
531000012200	LEDWaterproof-E3 L1500-25W-840	TL 1x58W	25	3500	140	4000	0.96
531000012800	LEDWaterproof-E3 L1500-25/47W-840	TL 1/2x58W	25/47	3500/6580	140	4000	1.00
531000012900	LEDWaterproof-E3 L1500-25/47W-865	TL 1/2x58W	25/47	3500/6580	140	6500	1.00
531000012300	LEDWaterproof-E3 L1500-44/55W-840	TL 1/2x58W	44/55	6600/8250	150	4000	0.97
531000012400	LEDWaterproof-E3 L1500-44/55W-865	TL 1/2x58W	44/55	6600/8250	150	6500	0.97

Technical Specifications	
Lifetime (L70)	70,000 h
Lifetime (L80)	50,000 h
On-/Off-cycles	100,000
Colour consistency (SDCM)	4
Dimmability	On-Off
Beam angle	120°
Finishing	Grey RAL 7035
Colour rendering index (CRI)	> 80
Degree of protection (IP)	IP66
Impact strength	IK08
Protection class	II
Risk group (EN 62471)	RG0
With control gear	Yes
Glow wire test	850°C
Power factor	≥ 0.9
Input wire diameter	1mm <sup>2</sup> - 2.5mm <sup>2</sup>
Internal wiring (mm <sup>2</sup> )	3x2.5
Max. input cable diameter (mm)	7-11.5 mm

Electrical Supply	
Frequency	50/60 Hz
Nominal voltage	220-240 V
DC input voltage	See catalogue appendix
Connection	Specifications

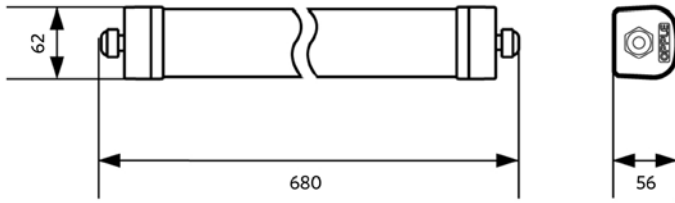
Mechanical Properties	
Material housing	Polycarbonate
UV resistant	Yes
Optical material	Polycarbonate
Mounting clips	Stainless steel

Ambient Conditions	
Operating temperature	-20-+45°C
Application temperature	+25°C
Storage environment	-30-+60°C

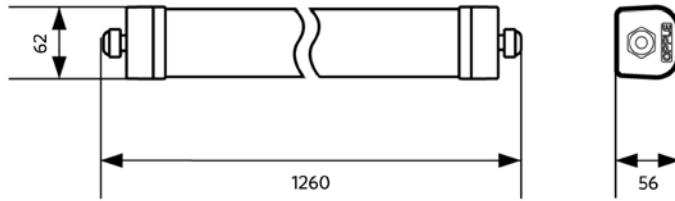


## Dimensional Drawing (mm)

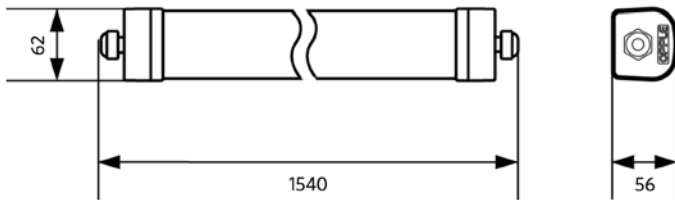
LEDWaterproof-E3 L600



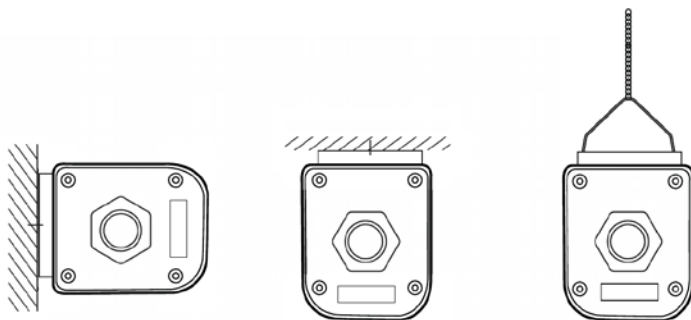
LEDWaterproof-E3 L1200



LEDWaterproof-E3 L1500



## Installation Possibilities





**NEW**

**Waterproof Classic Housing**

- Waterproof housing for use with LED TL tubes (tubes excluded), perfect in combination with the OPPLE LED T8 Tubes
- Flexible wiring options on side and backside
- Future-proof solution due to serviceability and upgradability of lamps
- Equipped with 3x1.5mm<sup>2</sup> throughwiring

**IP65** **IK08**

**Specifications**

Item Code	Item Description	Weight (kg/pc)
<b>Housing (excluding light source)</b>		
531001001900	LEDWaterproof-CLA Housing L600-T8-1x	0.37
531001002000	LEDWaterproof-CLA Housing L600-T8-2x	0.53
531001002100	LEDWaterproof-CLA Housing L1200-T8-1x	0.67
531001002200	LEDWaterproof-CLA Housing L1200-T8-2x	0.89
531001002300	LEDWaterproof-CLA Housing L1500-T8-1x	0.89
531001002400	LEDWaterproof-CLA Housing L1500-T8-2x	1.13

<b>Technical Specifications</b>	
Beam angle	120°
Finishing	Grey RAL 7035
Degree of protection (IP)	IP65
Impact strength	IK08
Power factor	≥ 0.9
Input wire diameter	1mm <sup>2</sup> - 2.5mm <sup>2</sup>
Internal wiring (mm <sup>2</sup> )	3x2.5
Max. input cable diameter (mm)	7-11.5 mm

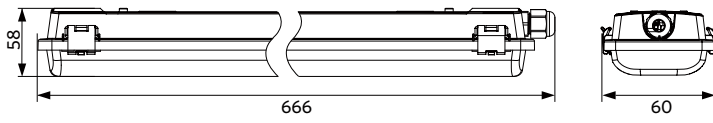
<b>Electrical Supply</b>	
Frequency	50/60 Hz
Nominal voltage	220-240 V
DC input voltage	No
<b>Mechanical Properties</b>	
Material housing	Polycarbonate
UV resistant	Yes
Optical material	Polycarbonate
Mounting clips	Stainless steel

**5 YEARS WARRANTY**

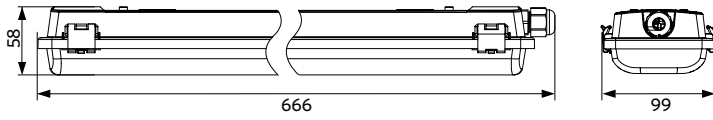


## Dimensional Drawing (mm)

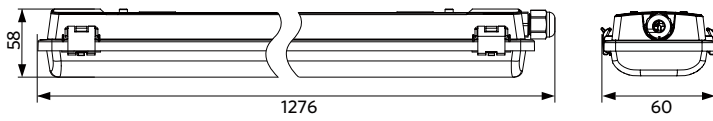
LEDWaterproof-CLA Housing L600-T8-1x



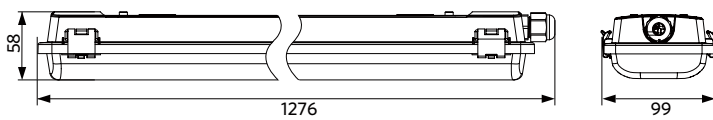
LEDWaterproof-CLA Housing L600-T8-2x



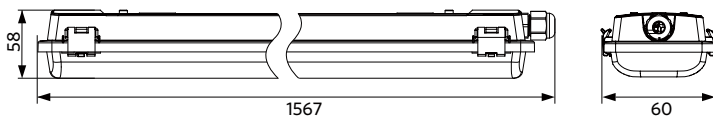
LEDWaterproof-CLA Housing L1200-T8-1x



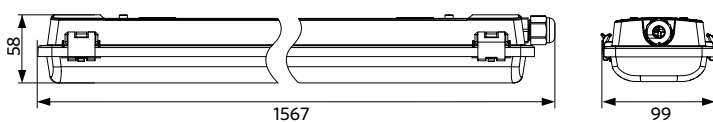
LEDWaterproof-CLA Housing L1200-T8-2x



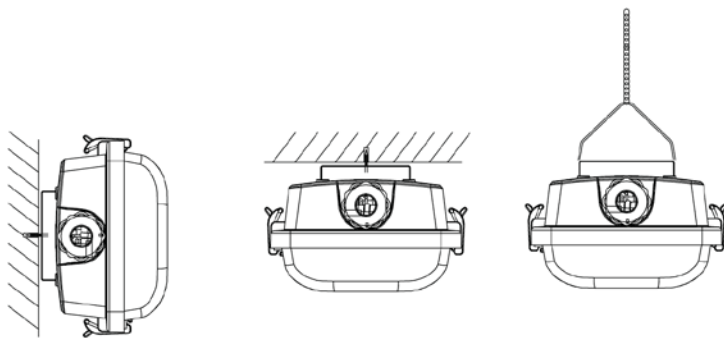
LEDWaterproof-CLA Housing L1500-T8-1x



LEDWaterproof-CLA Housing L1500-T8-2x



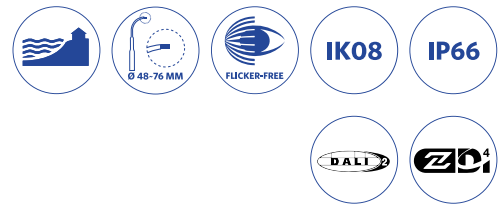
## Installation Possibilities







## Roadlight Stratus



- NEW: 20W and 40W versions available
- Modern-looking Roadlight solution with high efficacy up to 150 lm/W
- DALI2 versions equipped with midnight dimming (configuration module needed)
- Available with D4i-Driver and Zhaga socket for easy integration in third party Smart City Control Systems (Zhaga control module not included)
- Advanced optical design with multiple light distribution options
- Easy installation and maintenance via openable driver compartment
- Flexible and adjustable pole connector (60mm & 76mm) for both side entry and pole top mounting (order separately)



## Specifications

Item Code	Item Description	Equivalent to (W)	Power (W)	Lumen	Efficacy lm/W	CCT (K)	Beam angle	Weight (kg/pc)	Required pole adapter	
<b>On-Off</b>										
705000095800	LEDRoad-St-P2 Re488-20W-730	HID 50W	20	3000	150	3000	143° x 70°	4.10	 705098008300 Pole Adapter-Road-St-P2-60mm  <b>or</b>   705098008400 Pole Adapter-Road-St-P2-76mm	
705000095900	LEDRoad-St-P2 Re488-20W-740	HID 50W	20	3000	150	4000	143° x 70°	4.10		
705000098900	LEDRoad-St-P2 Re488-20W-730-XAS	HID 50W	20	3000	150	3000	160° x 93°	4.10		
705000099000	LEDRoad-St-P2 Re488-20W-740-XAS	HID 50W	20	3000	150	4000	160° x 93°	4.10		
705000096400	LEDRoad-St-P2 Re488-40W-730	HID 70W	40	6000	150	3000	143° x 70°	4.10		
705000096500	LEDRoad-St-P2 Re488-40W-740	HID 70W	40	6000	150	4000	143° x 70°	4.10		
705000097900	LEDRoad-St-P2 Re488-40W-730-XAS	HID 70W	40	6000	150	3000	160° x 93°	4.10		
705000098000	LEDRoad-St-P2 Re488-40W-740-XAS	HID 70W	40	6000	150	4000	160° x 93°	4.10		
705000067400	LEDRoad-St-P2 Re488-60W-730	HID 100W	60	9000	150	3000	143° x 70°	4.30		
705000068800	LEDRoad-St-P2 Re488-60W-740	HID 100W	60	9000	150	4000	143° x 70°	4.30		
705000066800	LEDRoad-St-P2 Re488-80W-730	HID 150W	80	12000	150	3000	143° x 70°	4.30		
705000068000	LEDRoad-St-P2 Re488-80W-740	HID 150W	80	12000	150	4000	143° x 70°	4.30		
705000068200	LEDRoad-St-P2 Re587-120W-730	HID 150W	120	18000	150	3000	143° x 70°	6.70		
705000066600	LEDRoad-St-P2 Re587-120W-740	HID 150W	120	18000	150	4000	143° x 70°	6.70		
705000067700	LEDRoad-St-P2 Re587-150W-730	HID 250W	150	22500	150	3000	143° x 70°	6.70		
705000068100	LEDRoad-St-P2 Re587-150W-740	HID 250W	150	22500	150	4000	143° x 70°	6.70		
<b>DALI2, D4i</b>										
705000096000	LEDRoad-St-P2 Re488-20W-DALI-730	HID 50W	20	3000	150	3000	143° x 70°	4.10		
705000096100	LEDRoad-St-P2 Re488-20W-DALI-740	HID 50W	20	3000	150	4000	143° x 70°	4.10		
705000098800	LEDRoad-St-P2 Re488-20W-DALI-730-XAS	HID 50W	20	3000	150	3000	160° x 93°	4.10		
705000098700	LEDRoad-St-P2 Re488-20W-DALI-740-XAS	HID 50W	20	3000	150	4000	160° x 93°	4.10		
705000096600	LEDRoad-St-P2 Re488-40W-DALI-730	HID 70W	40	6000	150	3000	143° x 70°	4.10		
705000096700	LEDRoad-St-P2 Re488-40W-DALI-740	HID 70W	40	6000	150	4000	143° x 70°	4.10		
705000098100	LEDRoad-St-P2 Re488-40W-DALI-730-XAS	HID 70W	40	6000	150	3000	160° x 93°	4.10		
705000098200	LEDRoad-St-P2 Re488-40W-DALI-740-XAS	HID 70W	40	6000	150	4000	160° x 93°	4.10		



Item Code	Item Description	Equivalent to (W)	Power (W)	Lumen	Efficacy lm/W	CCT (K)	Beam angle	Weight (kg/pc)	Required pole adapter	
<b>DALI2, D4i</b>										
705000068600	LEDRoad-St-P2 Re488-60W-DALI-730	HID 100W	60	9000	150	3000	143° x 70°	4.30		
705000067000	LEDRoad-St-P2 Re488-60W-DALI-740	HID 100W	60	9000	150	4000	143° x 70°	4.30		
705000067900	LEDRoad-St-P2 Re488-80W-DALI-730	HID 150W	80	12000	150	3000	143° x 70°	4.30		
705000067300	LEDRoad-St-P2 Re488-80W-DALI-740	HID 150W	80	12000	150	4000	143° x 70°	4.30		
705000067800	LEDRoad-St-P2 Re587-120W-DALI-730	HID 150W	120	18000	150	3000	143° x 70°	6.70		
705000068300	LEDRoad-St-P2 Re587-120W-DALI-740	HID 150W	120	18000	150	4000	143° x 70°	6.70		
705000067200	LEDRoad-St-P2 Re587-150W-DALI-730	HID 250W	150	22500	150	3000	143° x 70°	6.70		
705000067600	LEDRoad-St-P2 Re587-150W-DALI-740	HID 250W	150	22500	150	4000	143° x 70°	6.70		
<b>DALI2, D4i, Zhaga</b>										
705000096200	LEDRoad-St-P2 Re488-20W-DALI-730-ZH	HID 50W	20	3000	150	3000	143° x 70°	4.10		705098008300 Pole Adapter-Road-St-P2-60mm  <b>or</b>   705098008400 Pole Adapter-Road-St-P2-76mm
705000096300	LEDRoad-St-P2 Re488-20W-DALI-740-ZH	HID 50W	20	3000	150	4000	143° x 70°	4.10		
705000098600	LEDRoad-St-P2 Re488-20W-DALI-730-XAS-ZH	HID 50W	20	3000	150	3000	160° x 93°	4.10		
705000098500	LEDRoad-St-P2 Re488-20W-DALI-740-XAS-ZH	HID 50W	20	3000	150	4000	160° x 93°	4.10		
705000096800	LEDRoad-St-P2 Re488-40W-DALI-730-ZH	HID 70W	40	6000	150	3000	143° x 70°	4.10		
705000096900	LEDRoad-St-P2 Re488-40W-DALI-740-ZH	HID 70W	40	6000	150	4000	143° x 70°	4.10		
705000098300	LEDRoad-St-P2 Re488-40W-DALI-730-XAS-ZH	HID 70W	40	6000	150	3000	160° x 93°	4.10		
705000098400	LEDRoad-St-P2 Re488-40W-DALI-740-XAS-ZH	HID 70W	40	6000	150	4000	160° x 93°	4.10		
705000066900	LEDRoad-St-P2 Re488-60W-DALI-730-ZH	HID 100W	60	9000	150	3000	143° x 70°	4.30		
705000067500	LEDRoad-St-P2 Re488-60W-DALI-740-ZH	HID 100W	60	9000	150	4000	143° x 70°	4.30		
705000066700	LEDRoad-St-P2 Re488-80W-DALI-730-ZH	HID 150W	80	12000	150	3000	143° x 70°	4.30		
705000068700	LEDRoad-St-P2 Re488-80W-DALI-740-ZH	HID 150W	80	12000	150	4000	143° x 70°	4.30		
705000068500	LEDRoad-St-P2 Re587-120W-DALI-730-ZH	HID 150W	120	18000	150	3000	143° x 70°	6.70		
705000068400	LEDRoad-St-P2 Re587-120W-DALI-740-ZH	HID 150W	120	18000	150	4000	143° x 70°	6.70		
705000067100	LEDRoad-St-P2 Re587-150W-DALI-730-ZH	HID 250W	150	22500	150	3000	143° x 70°	6.70		
705000068900	LEDRoad-St-P2 Re587-150W-DALI-740-ZH	HID 250W	150	22500	150	4000	143° x 70°	6.70		

For more technical information, please go to the appendix.

## Accessories

Required



705098008300  
Pole Adapter-Road-St-P2-60mm

or

Required



705098008400  
Pole Adapter-Road-St-P2-76mm



705098003600  
LEDStreetlight Wall-Bracket-60



705098003700  
LEDStreetlight Pole-Top-60-Adapter-60



705098003400  
LEDStreetlight Pole-Top-76-Adapter-60



705098005500  
LEDStreetlight Pole-Top-60-Adapter-2x60

### Technical Specifications

Lifetime (L80)	100,000 h
On-/Off-cycles	100,000
Colour consistency (SDCM)	5
Dimmability	On-Off / DALI2
Maximum tilt angle	-15--+15°
Finishing	Grey RAL 870-3
Colour rendering index (CRI)	> 70
Degree of protection (IP)	IP66
Impact strength	IK08
Protection class	II (I on request)
Risk group (EN 62471)	RG0
With control gear	Yes
Glow wire test	850°C
Power factor	≥ 0.9
Surge protection	10 kV

### Electrical Supply

Frequency	50/60 Hz
Nominal voltage	220-240 V
DC input voltage	See catalogue appendix
Connection	Specifications

### Mechanical Properties

Housing material	Aluminum
Optical material	Polycarbonate
Compatible pole Ø	48-76 mm
Effective wind area	1300 cm <sup>2</sup> / 1800 cm <sup>2</sup>
Coastal proof	Yes

### Ambient Conditions

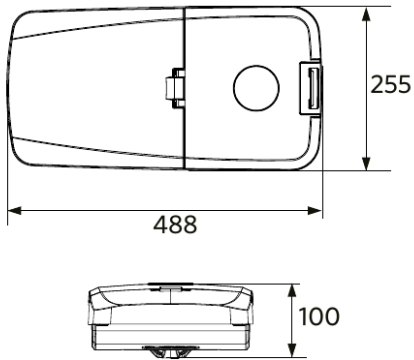
Operating temperature	-25--+45°C
Application temperature	+25°C
Storage environment	-40--+60°C

**5 YEARS WARRANTY**

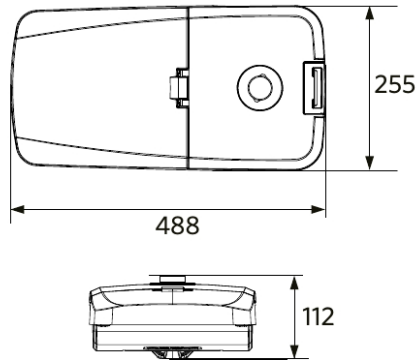


## Dimensional Drawing (mm)

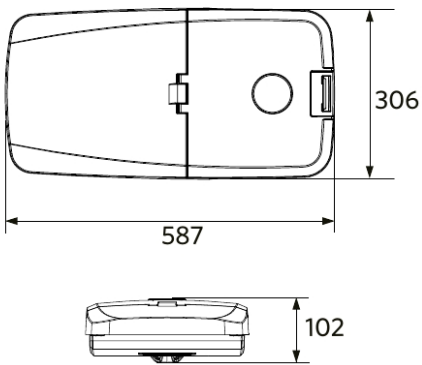
LEDRoad-St-P2 Re488  
On-Off & DALI2



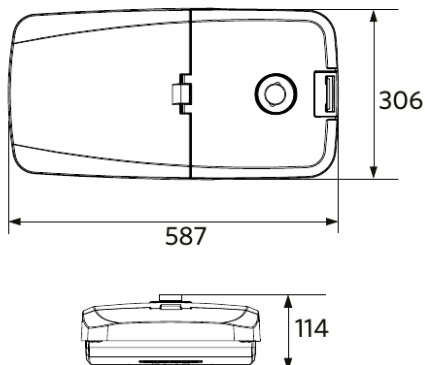
LEDRoad-St-P2 Re488  
Zhaga



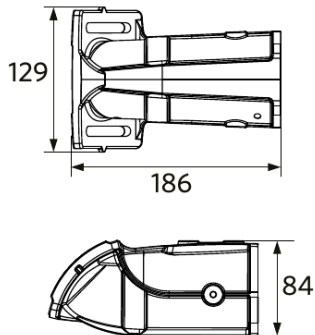
LEDRoad-St-P2 Re587  
On-Off & DALI2



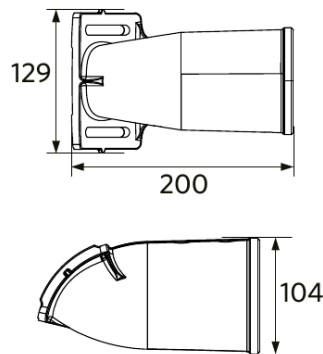
LEDRoad-St-P2 Re587  
Zhaga



LEDRoad-St-P2  
Pole Adapter-Road-St-P2-60mm



LEDRoad-St-P2  
Pole Adapter-Road-St-P2-76mm







## Floodlight Olympus

- NEW: 2 types of Visors available as accessory, to minimize lighting pollution
- Professional luminaire with die-cast aluminium body for sports and area lighting
- Flexible driver mounting methods
- Powerful range up to 192,000 lm with high efficacy up to 160lm/W
- Different optics to illuminate sport pitches (Class II/III EN 12193:2018) and open areas
- Robust design: full IP66 and IK08 protection, including safety cable
- Equipped with DALI dimming for further energy saving
- Equipped with breather to prevent condensation
- Aiming device for perfect alignment available as accessory



**The driver is mandatory and must be ordered separately.**

## Specifications

Item Code	Item Description	Equivalent to (W)	Power (W)	Lumen	Efficacy (lm/W)	CCT (K)	Beam angle	Weight (kg/pc)
<b>Luminaire (excluding driver)</b>								
709000083400	LEDfloodOly-P Re600-600W-730-W-LUM	HID 1000W	600	90000	150	3000	60°	15.23
709000083100	LEDfloodOly-P Re600-600W-730-N-LUM	HID 1000W	600	90000	150	3000	45°	15.23
709000082800	LEDfloodOly-P Re600-600W-730-XN-LUM	HID 1000W	600	90000	150	3000	30°	15.23
709000082500	LEDfloodOly-P Re600-600W-730-AS-LUM	HID 1000W	600	84000	140	3000	38° x 108°	15.23
709000083500	LEDfloodOly-P Re600-600W-740-W-LUM	HID 1000W	600	96000	160	4000	60°	15.23
709000083200	LEDfloodOly-P Re600-600W-740-N-LUM	HID 1000W	600	96000	160	4000	45°	15.23
709000082900	LEDfloodOly-P Re600-600W-740-XN-LUM	HID 1000W	600	96000	160	4000	30°	15.23
709000082600	LEDfloodOly-P Re600-600W-740-AS-LUM	HID 1000W	600	90000	150	4000	38° x 108°	15.23
709000083600	LEDfloodOly-P Re600-600W-757-W-LUM	HID 1000W	600	96000	160	5700	60°	15.23
709000083300	LEDfloodOly-P Re600-600W-757-N-LUM	HID 1000W	600	96000	160	5700	45°	15.23
709000083000	LEDfloodOly-P Re600-600W-757-XN-LUM	HID 1000W	600	96000	160	5700	30°	15.23
709000082700	LEDfloodOly-P Re600-600W-757-AS-LUM	HID 1000W	600	90000	150	5700	38° x 108°	15.23
709000084600	LEDfloodOly-P Re600-800W-730-W-LUM	HID 1000W	800	120000	150	3000	60°	15.23
709000084300	LEDfloodOly-P Re600-800W-730-N-LUM	HID 1000W	800	120000	150	3000	45°	15.23
709000084000	LEDfloodOly-P Re600-800W-730-XN-LUM	HID 1000W	800	120000	150	3000	30°	15.23
709000083700	LEDfloodOly-P Re600-800W-730-AS-LUM	HID 1000W	800	112000	140	3000	38° x 108°	15.23
709000084700	LEDfloodOly-P Re600-800W-740-W-LUM	HID 1000W	800	128000	160	4000	60°	15.23
709000084400	LEDfloodOly-P Re600-800W-740-N-LUM	HID 1000W	800	128000	160	4000	45°	15.23
709000084100	LEDfloodOly-P Re600-800W-740-XN-LUM	HID 1000W	800	128000	160	4000	30°	15.23
709000083800	LEDfloodOly-P Re600-800W-740-AS-LUM	HID 1000W	800	120000	150	4000	38° x 108°	15.23
709000084800	LEDfloodOly-P Re600-800W-757-W-LUM	HID 1000W	800	128000	160	5700	60°	15.23
709000084500	LEDfloodOly-P Re600-800W-757-N-LUM	HID 1000W	800	128000	160	5700	45°	15.23
709000084200	LEDfloodOly-P Re600-800W-757-XN-LUM	HID 1000W	800	128000	160	5700	30°	15.23
709000083900	LEDfloodOly-P Re600-800W-757-AS-LUM	HID 1000W	800	120000	150	5700	38° x 108°	15.23

Item Code	Item Description	Equivalent to (W)	Power (W)	Lumen	Efficacy (lm/W)	CCT (K)	Beam angle	Weight (kg/pc)
<b>Luminaire (excluding driver)</b>								
709000085800	LEDfloodOly-P Re700-1000W-730-W-LUM	HID 2000W	1000	150000	150	3000	60°	19.90
709000085500	LEDfloodOly-P Re700-1000W-730-N-LUM	HID 2000W	1000	150000	150	3000	45°	19.90
709000085200	LEDfloodOly-P Re700-1000W-730-XN-LUM	HID 2000W	1000	150000	150	3000	30°	19.90
709000084900	LEDfloodOly-P Re700-1000W-730-AS-LUM	HID 2000W	1000	140000	140	3000	38° x 108°	19.90
709000085900	LEDfloodOly-P Re700-1000W-740-W-LUM	HID 2000W	1000	160000	160	4000	60°	19.90
709000085600	LEDfloodOly-P Re700-1000W-740-N-LUM	HID 2000W	1000	160000	160	4000	45°	19.90
709000085300	LEDfloodOly-P Re700-1000W-740-XN-LUM	HID 2000W	1000	160000	160	4000	30°	19.90
709000085000	LEDfloodOly-P Re700-1000W-740-AS-LUM	HID 2000W	1000	150000	150	4000	38° x 108°	19.90
709000086000	LEDfloodOly-P Re700-1000W-757-W-LUM	HID 2000W	1000	160000	160	5700	60°	19.90
709000085700	LEDfloodOly-P Re700-1000W-757-N-LUM	HID 2000W	1000	160000	160	5700	45°	19.90
709000085400	LEDfloodOly-P Re700-1000W-757-XN-LUM	HID 2000W	1000	160000	160	5700	30°	19.90
709000085100	LEDfloodOly-P Re700-1000W-757-AS-LUM	HID 2000W	1000	150000	150	5700	38° x 108°	19.90
709000087000	LEDfloodOly-P Re700-1200W-730-W-LUM	HID 2000W	1200	180000	150	3000	60°	19.90
709000086700	LEDfloodOly-P Re700-1200W-730-N-LUM	HID 2000W	1200	180000	150	3000	45°	19.90
709000086400	LEDfloodOly-P Re700-1200W-730-XN-LUM	HID 2000W	1200	180000	150	3000	30°	19.90
709000086100	LEDfloodOly-P Re700-1200W-730-AS-LUM	HID 2000W	1200	168000	140	3000	38° x 108°	19.90
709000087100	LEDfloodOly-P Re700-1200W-740-W-LUM	HID 2000W	1200	192000	160	4000	60°	19.90
709000086800	LEDfloodOly-P Re700-1200W-740-N-LUM	HID 2000W	1200	192000	160	4000	45°	19.90
709000086500	LEDfloodOly-P Re700-1200W-740-XN-LUM	HID 2000W	1200	192000	160	4000	30°	19.90
709000086200	LEDfloodOly-P Re700-1200W-740-AS-LUM	HID 2000W	1200	180000	150	4000	38° x 108°	19.90
709000087200	LEDfloodOly-P Re700-1200W-757-W-LUM	HID 2000W	1200	192000	160	5700	60°	19.90
709000086900	LEDfloodOly-P Re700-1200W-757-N-LUM	HID 2000W	1200	192000	160	5700	45°	19.90
709000086600	LEDfloodOly-P Re700-1200W-757-XN-LUM	HID 2000W	1200	192000	160	5700	30°	19.90
709000086300	LEDfloodOly-P Re700-1200W-757-AS-LUM	HID 2000W	1200	180000	150	5700	38° x 108°	19.90

## Driver options

Item Code	Item Description	Weight (kg/pc)
<b>LED Driver for Bracket/Outer Pole Mounting</b>		
709098000700	FloodOly-P Driver-Box-In/Out-600W-DALI	8.57
709098002900	FloodOly-P Driver-Box-Out-800W-DALI	13.24
709098000800	FloodOly-P Driver-Box-Out-1000W-DALI	13.40
709098000900	FloodOly-P Driver-Box-Out-1200W-DALI	15.94

or

Item Code	Item Description	Weight (kg/pc)
<b>LED Driver for Inside Pole/Cabinet Mounting</b>		
709098000700	FloodOly-P Driver-Box-In/Out-600W-DALI	8.57
709098003000	FloodOly-P Driver-Box-IN-800W-DALI	9.00
709098001400	FloodOly-P Driver-Box-IN-1000W-DALI	9.10
709098001500	FloodOly-P Driver-Box-IN-1200W-DALI	11.75

## Accessories



709098001800  
FloodOly-P Aiming-Device



709098001600  
FloodOly-P Mounting-Kit-Out-Pole



709098003200  
FloodOly-P Visor-Fixed-AS-Side-1Mod



709098003300  
FloodOly-P Visor-Fixed-XN/N/W-1Mod

FloodOly-P Aiming-Device (709098001800) delivered including battery (1x CR123AW). FloodOly-P Mounting-Kit-Out-Pole (709098001600) suitable for light pole diameter 280-310mm. 600/800W luminaires require two visor accessories, 1000W luminaires require three visor accessories.



**5 YEARS WARRANTY**



Technical Specifications	
Lifetime (L70)	100,000 h
Lifetime (L80)	100,000 h
On-/Off-cycles	100,000
Colour consistency (SDCM)	6
Dimmability	DALI2
Finishing	Black
Colour rendering index (CRI)	> 70
Degree of protection (IP)	IP66
Impact strength	IK08
Protection class	I
Risk group (EN 62471)	RG1
With control gear	No
Glow wire test	850°C
Power factor	≥ 0.9
Surge protection	20 kV

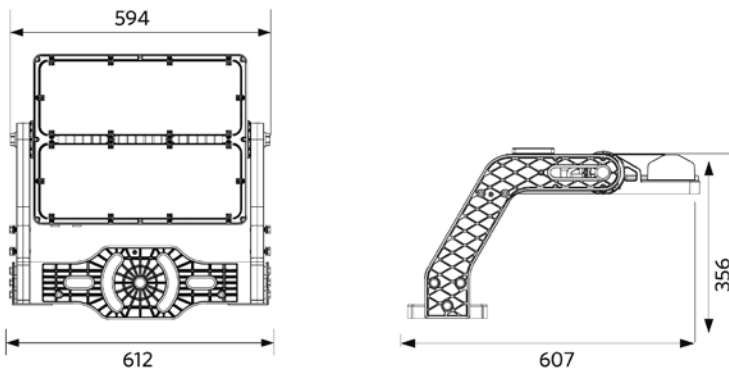
Electrical Supply	
Frequency	50/60 Hz
Nominal voltage	220-240 V
DC input voltage	See catalogue appendix
Connection	Specifications

Mechanical Properties	
Housing material	Aluminum
Optical material	Polycarbonate
Cover material	Polycarbonate
Coastal proof	Yes

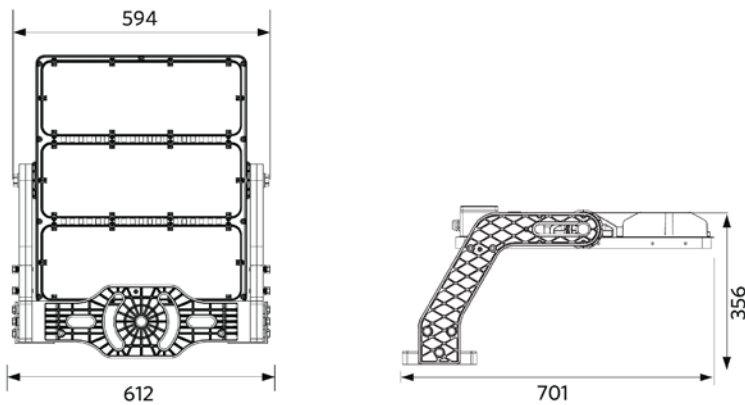
Ambient Conditions	
Operating temperature	-30-+45°C
Application temperature	+25°C
Storage environment	-30-+50°C

## Dimensional Drawing (mm)

LEDfloodOly-P Re600  
600W & 800W



LEDfloodOly-P Re700  
1000W & 1200W







## Floodlight Performer



- Precise optical design for area-, object- and façade lighting
- Super slim aluminium body with integrated heatsink and clipless cover
- Very high efficacy of up to 145 lm/W
- Improved 100,000 hour (L70) lifetime
- Wide (W), Asymmetric (AS) and Narrow (N) beam angles available
- Robust design with high protection against water and dust
- Equipped with a valve to regulate pressure differences
- Available in 32,000 lumen High Power version

## Specifications

Item Code	Item Description	Equivalent to (W)	Power (W)	Lumen	Efficacy (lm/W)	CCT (K)	Beam angle	Colour rendering index (CRI)	Surge protection	Weight (kg/pc)	
<b>On-Off</b>											
140062030	LEDflood-P Re440-90W-4000-W-BL	HID 250W	90	12600	140	4000	100°	> 80	4 kV	6.41	
140062031	LEDflood-P Re440-90W-4000-AS-BL	HID 250W	90	12600	140	4000	55° x 115°	> 80	4 kV	6.41	
140062032	LEDflood-P Re440-125W-4000-W-BL	HID 400W	125	17500	140	4000	100°	> 80	4 kV	6.41	
140062033	LEDflood-P Re440-125W-4000-AS-BL	HID 400W	125	17500	140	4000	55° x 115°	> 80	4 kV	6.41	
140062034	LEDflood-P Re440-160W-4000-W-BL	HID 400W	160	22400	140	4000	100°	> 80	4 kV	6.41	
140062035	LEDflood-P Re440-160W-4000-AS-BL	HID 400W	160	22400	140	4000	55° x 115°	> 80	4 kV	6.41	
543017041100	LEDflood-P Re440-220W-4000-N-BL	HID 500W	220	32000	145	4000	50°	> 70	10 kV	6.41	
543017026200	LEDflood-P Re440-220W-4000-AS-BL	HID 500W	220	32000	145	4000	55° x 115°	> 70	10 kV	6.41	
543017041200	LEDflood-P Re440-220W-5700-N-BL	HID 500W	220	32000	145	5700	50°	> 70	10 kV	6.41	
543017026400	LEDflood-P Re440-220W-5700-AS-BL	HID 500W	220	32000	145	5700	55° x 115°	> 70	10 kV	6.41	

## Accessories



543098021900  
LED Fixture-IP68-Connector-Kit-3



599000004600  
LED Street-SE-Extension Cable-6m



Technical Specifications	
Lifetime (L70)	100,000 h
Lifetime (L80)	70,000 h
On-/Off-cycles	100,000
Colour consistency (SDCM)	4
Dimmability	On-Off
Finishing	Black
Degree of protection (IP)	IP66
Impact strength	IK08
Protection class	I
Risk group (EN 62471)	RG1
With control gear	Yes
Glow wire test	650°C
Power factor	≥ 0.9

Electrical Supply	
Frequency	50/60 Hz
Nominal voltage	220-240 V
DC input voltage	See catalogue appendix Connection Specifications
230V Cable length	1 m

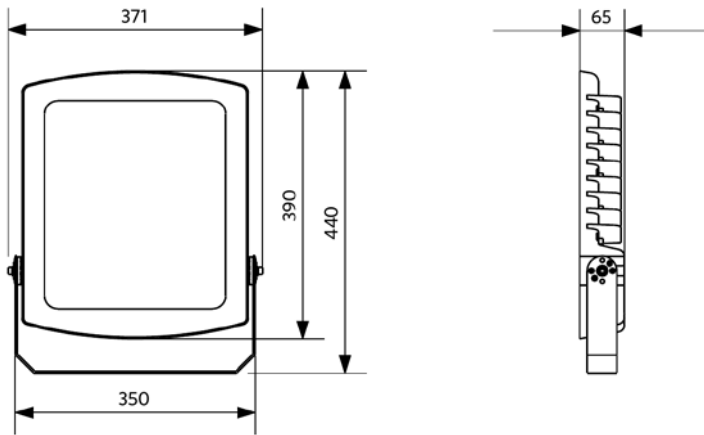
Mechanical Properties	
Housing material	Die-casted Aluminum
Optical material	Polycarbonate
Cover material	Tempered glass

Ambient Conditions	
Operating temperature	-25-+50°C / -30-+50°C
Application temperature	+25°C
Storage environment	-30-+60°C



## Dimensional Drawing (mm)

LEDFlood-P Re440



# Glossary

## Glossary general

### **CCT**

Color temperature in Kelvin

### **CRI (Ra)**

Colour Rendering Index

### **DALI**

Digital Adressable Lighting Interface

### **Efficacy**

lm/W

Amount of light produced (lm) per unit of energy consumed (W)

### **IK**

Impact resistance

### **Input current**

The maximum, instantaneous input current drawn by an electrical device when first turned on

### **Inrush Current**

The maximum current that will occur during a short period of time after switching on of the luminaire.

### **IP**

Ingress Protection Rating

### **L70**

Rated Median Useful Life during which LED based luminaires have their luminous flux degraded to 70 % (L70) of their initial flux, but are still operating

### **lm**

lumen

luminous flux

### **lx**

lux

lumen/m<sup>2</sup>

### **Power factor (pf)**

Difference between power and apparent power

### **Displacement factor (DF)**

The phase shift between voltage and current at the fundamental line frequency ( $\cos \phi$ )

### **SDCM**

standard deviation of color matching

### **UGR**

Unified Glare Rating

Glare reduction

## Glossary Opplé - abbreviation

### **100pct**

100 procent

### **3C-P**

3 phase track performer

### **AL**

Aluminum

### **AS**

Asymmetric beam angle

### **BA**

Brushed aluminum

### **B**

Basic

### **BL**

Black

### **BL**

Blister

### **CL**

Clear

### **CT**

Carton

### **Dim**

Dimmable

### **DF-DZ**

Diffusor version (trunking)

### **E2 / HQ2 / G2**

2nd Generation

### **EM1 / EM3**

Emergency lighting 1 hour / 3 hours

### **FR**

Frosted

### **G**

Grille

### **HG**

High Gloss

### **L12**

Length 1200mm

**LUM**

Luminaire only (excl. driver)

**MD**

Motion/day-light detection

**MW**

Matt white

**N**

Narrow

**P**

Performer

**PMMA**

Polymethylmethacrylaat

**Rc**

recessed

**Re**

Rectangle

**S / SI**

Slim

**SI-E**

Slim EcoMax

**Sp-Z**

Suspended Zenith

**Sq**

Square

**TW**

Tunable White

**U19**

UGR value  $\leq$  19

**W**

Wide beam angle

**WH**

White

**XAS**

"Extra Asymmetric" beam angle (160°\*93°)

**XN**

Extra narrow

**ZH**

Zhaga

# OPPLE

**OPPLE LIGHTING**

Meerenakkerweg 1-07  
5652 AR Eindhoven, The Netherlands

**T** +31 (0) 88 056 7888

**E** [service@opple.com](mailto:service@opple.com)

**OPPLE.COM**